

# Diamond Stripe Quilt

by Sarah Ruiz  
<http://www.saroy.net>



Pattern  
of the  
Month

**September 2015**

This modern baby quilt looks complicated, but is easier to construct than it appears. It's perfectly suited for a precut jelly roll, or you can cut your own strips from yardage. The quilt pictured here was made from an 18-piece precut jelly roll plus 3 coordinating solids. For a scrappy look like this, use at least 12-15 different fabrics.

The finished quilt measures approximately 40" square.

## Supplies

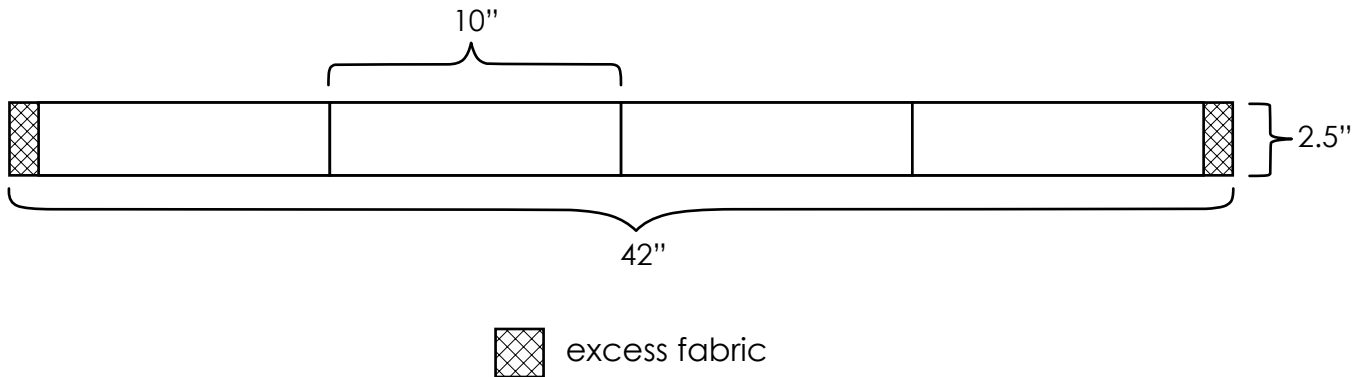
|           |   |
|-----------|---|
| Quilt Top | 1 jelly roll with at least 25 strips -or- at least 25 2.5"x42" strips |
| Binding   | 1/2 yard  |
| Backing   | 1 1/4 yards (44" width)   |
| Batting   | 44" x 44"   |

## Making the Quilt Top

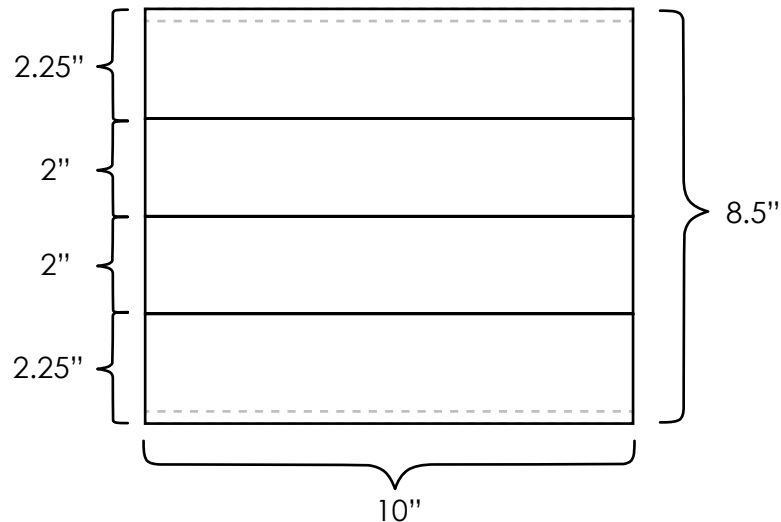
The quilt top is made from 25 blocks that will each measure 8"x8" when finished. You will cut each jelly roll strip into short segments, sew them together in groups of four, cut each resulting block on the diagonal, and sew the resulting triangles together once again.

Use a 1/4" seam allowance for all steps.

1. Cut 25 2.5"x42" strips into 10" widths. You will get 4 10" pieces per strip for a total of 100 2.5" x 10" pieces.



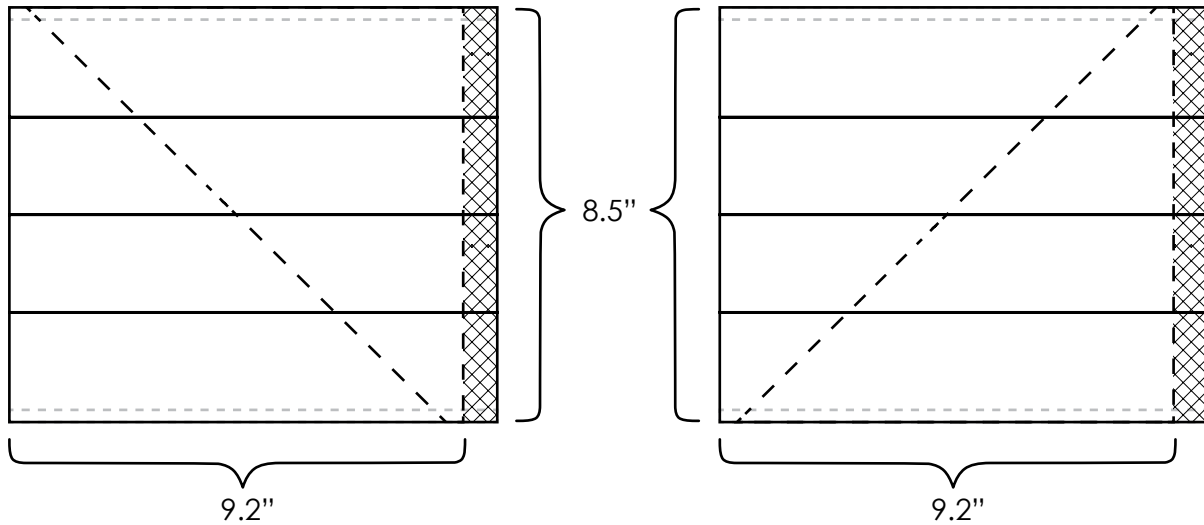
2. Sew these pieces right sides together along the long edge in random groups of four. You will end up with 25 blocks measuring 8.5" tall by 10" wide.



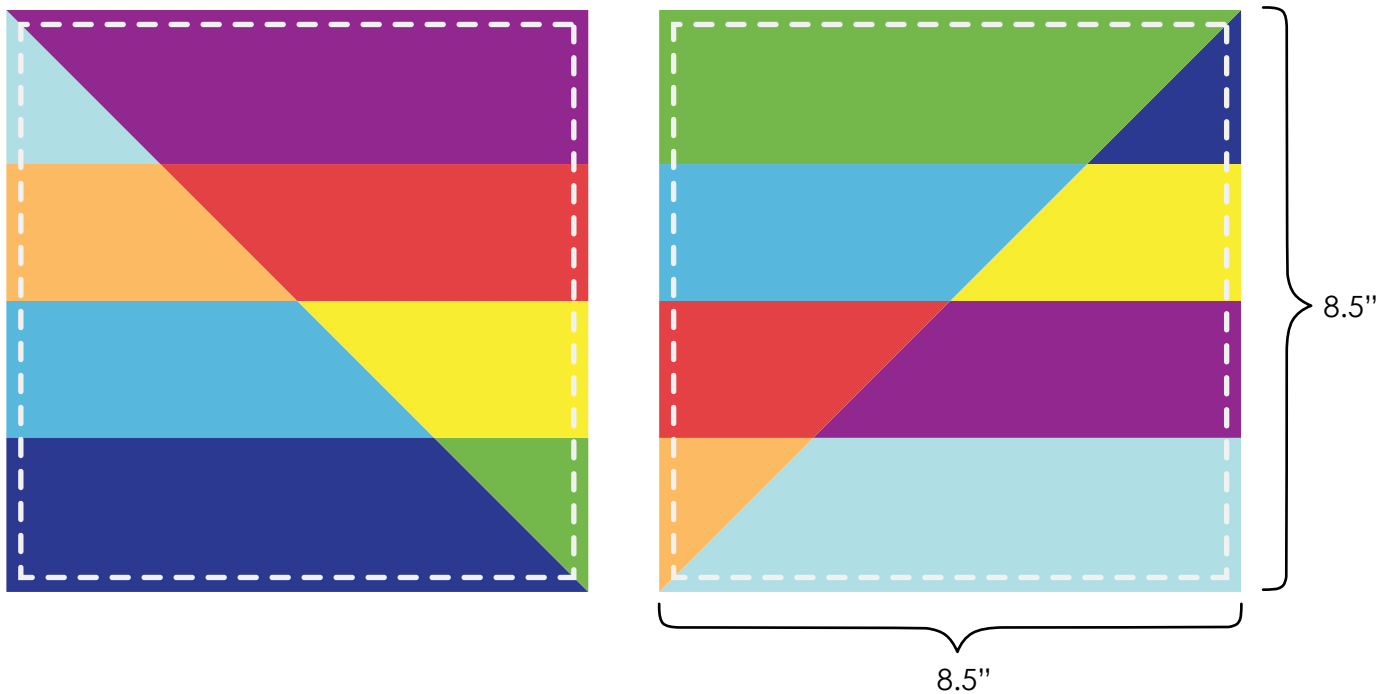
- Cut each block along a 45° angle to make 2 right triangles. **IMPORTANT:** Cut 13 blocks diagonally from top to bottom as shown on the left below. Cut the remaining 12 blocks from diagonally from bottom to top as shown on the right.

Note that the diagonal cuts start at just under 3/8" in from the corner, not at the corner itself. This is to account for seam allowance, since these triangles will be sewn back together again. A cutting template is provided at the end of this pattern.

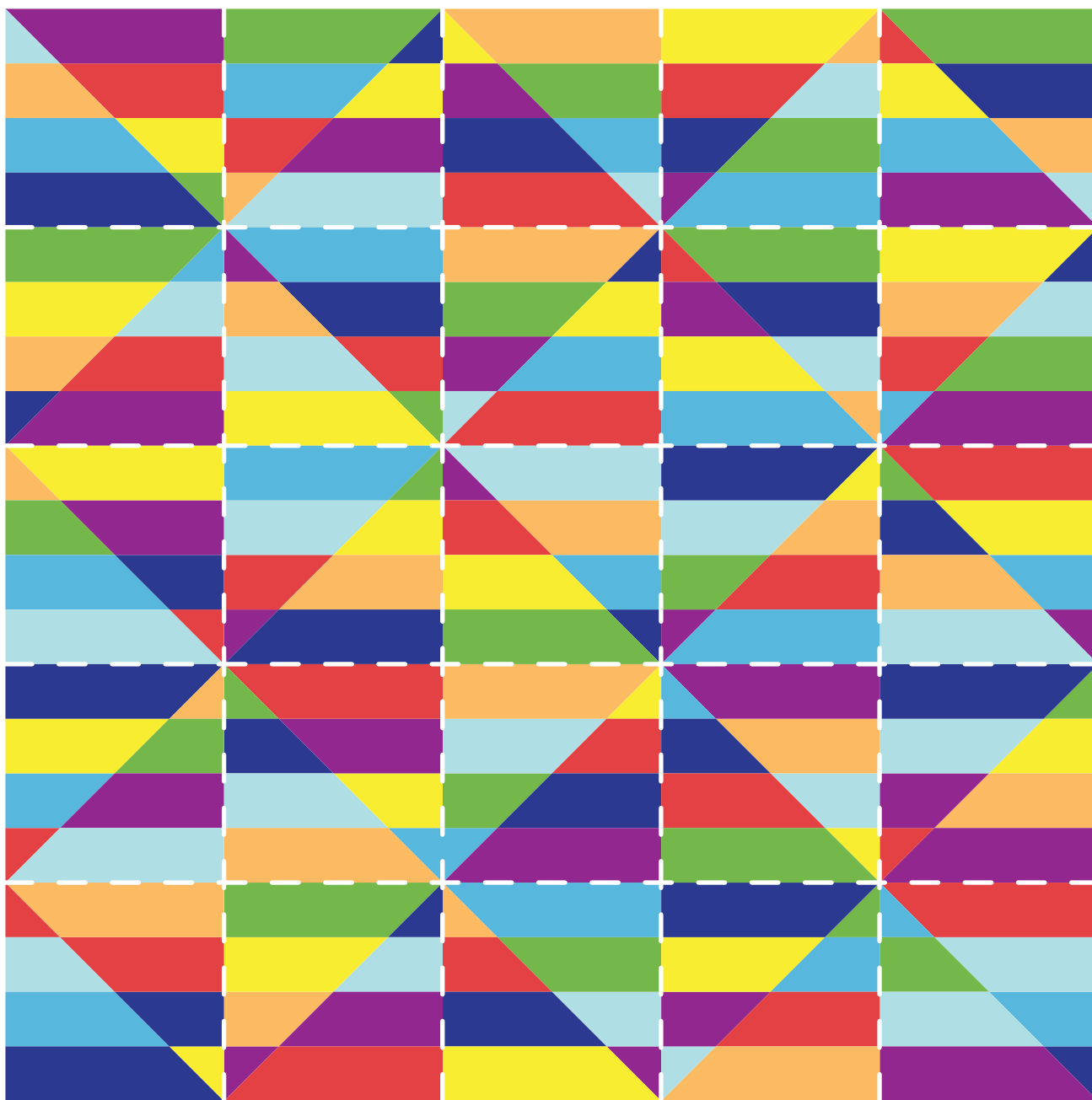
Each of the right triangles will measure 8.5" tall and just under 9.25" wide.



- You now have two groups of right triangles: one group of 26 and another group of 24. For each group, randomly pair triangles right sides together and sew along the diagonal back into blocks. The final blocks will measure 8.5" square. You will have 13 blocks like the one shown on the left below with the diagonal running from top to bottom, and 12 like the one on the right with the diagonal running from bottom to top.



5. Sew these blocks together to make 5 rows of 5 blocks each. Sew each row together to finish the quilt top. Refer to the diagram below to indicate which way the diagonal should run on each block.



# Finishing the Quilt

## Quilting

1. Layer the quilt top, batting and backing. The backing measures 45" x 44" so no cutting is necessary.
2. Baste and quilt as desired.

## Binding

1. From binding fabric, cut five 2.5" strips along the width of fabric.
2. Join the strips together end to end with a diagonal seam.
3. Press the binding in half lengthwise with wrong sides together.
4. Attach the binding to the front of the quilt, joining the ends with another diagonal seam.
5. Machine or hand stitch the binding to the back of the quilt to finish.

# Cutting Template

To use:

Print this page, making sure your printer is set to output "actual size." Use the 1-inch square at the bottom to check your result.

Cut out the two template pieces below and tape together along the dotted lines, using the two gray diamonds to ensure good alignment.

Use the paper template to cut right triangles as described in Step 3, or trace onto a sheet of cardstock or chipboard for a more durable template.

